

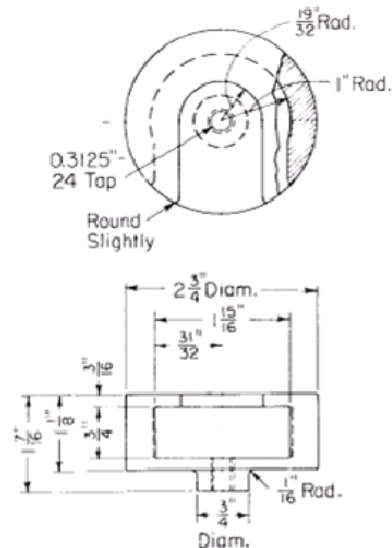
G832 Tensile Test Fixture for Adhesive Bonds per ASTM D897

Tensile Test Device Requirements – ASTM D897 provides guidelines for the gripping apparatus used for tensile testing adhesive bonds. The G832 fixture meets those requirements.

According to ASTM D897, the test specimen is held between a fixed and movable grip or test fixture. Self-aligning couplers are recommended and optional. The grips shall be attached in such a way that the grips will move into alignment as soon as any load is applied, so that the long axis of the test specimen will coincide with the direction of the applied pull through the center line of the grip assembly.



G832 – D897 Tensile Testing Fixture



Suggested fixture per ASTM

Contact an application engineer to configure a solution to your application requirements. 1-800-430-6546

References

ASTM Standard D897, 2001, "D897 Standard Test Method for Tensile Testing of Adhesive Bonds," ASTM International, West Conshohocken, PA, 2008, www.astm.org.