

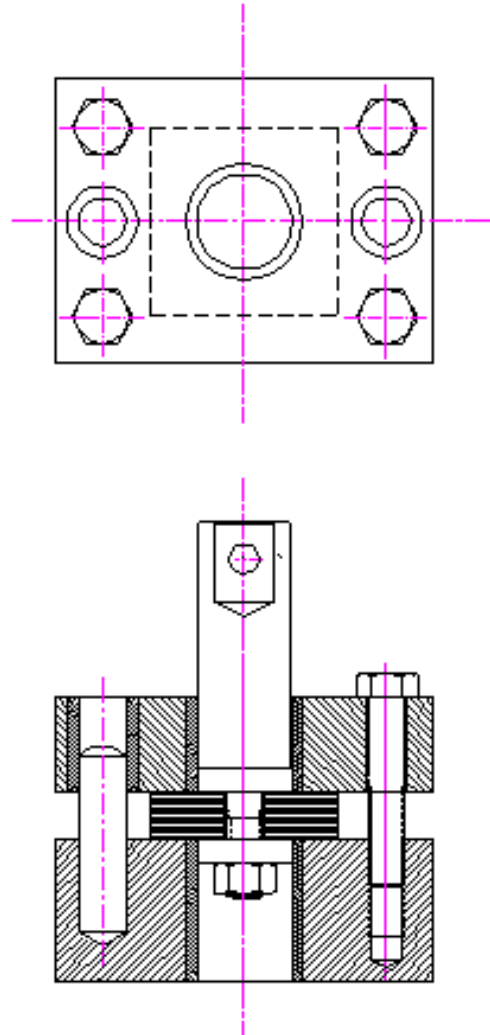
## **G712- D732 Fixture**

### **Shear Strength of Plastics using Punch Tool**

G712-D732 meets ASTM D732 requirements for shear strength testing which describes the tooling fixtures used for the punch-style shear test.

The square plastic test specimens are fastened beneath the punch. The tooling holds the specimen in place while the punch is pushed down and through the plastic specimen (American Society for Testing and Materials [ASTM], 2007).

Contact an application engineer to configure a solution to your application requirements.



**G712 Test Sample Punch  
Shear Testing Fixtures are  
made per ASTM guidelines**

**Reference** ASTM Standard D 143, 2002, "Standard Test Methods for Shear Strength of Plastics by Punch Tool," ASTM International, West Conshohocken, PA, 2007, [www.astm.org](http://www.astm.org).