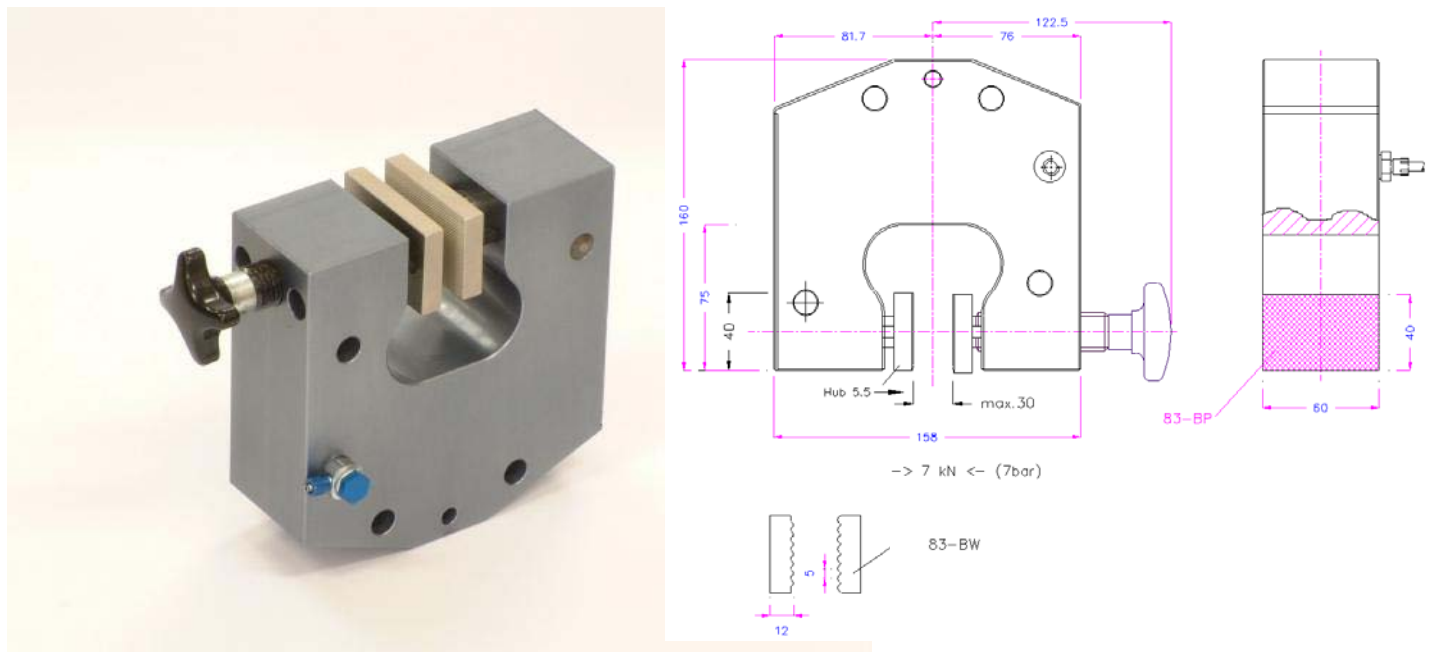


G83-D1683 Grab Test Fixture per ASTM D1683

Grab Test Device Requirements – ASTM D1683 describes test fixtures used in determining the seam strength of sewn fabrics. The G83 Grip configured with specialized jaws meet these requirements

ASTM D1683 is used to determine either the sewn seam strength of textiles or the efficiency of a seam assembly with any given fabric. The sizes of the jaws are specified in addition to having at least one clamp supported by a free swivel or universal joint to allow the clamp to rotate in the plane of the fabric.



G83 grips with specialized jaws are a perfect fit for seam strength testing per ASTM D1683

Contact an application engineer to configure a solution to your application requirements!
1-800-430-6536

Reference: ASTM Standard D 1683, 2004, "D1683 Standard Test Method for Failure in Sewn Seams of Woven Apparel Fabrics," ASTM International, West Conshohocken, PA, 2007, www.astm.org.