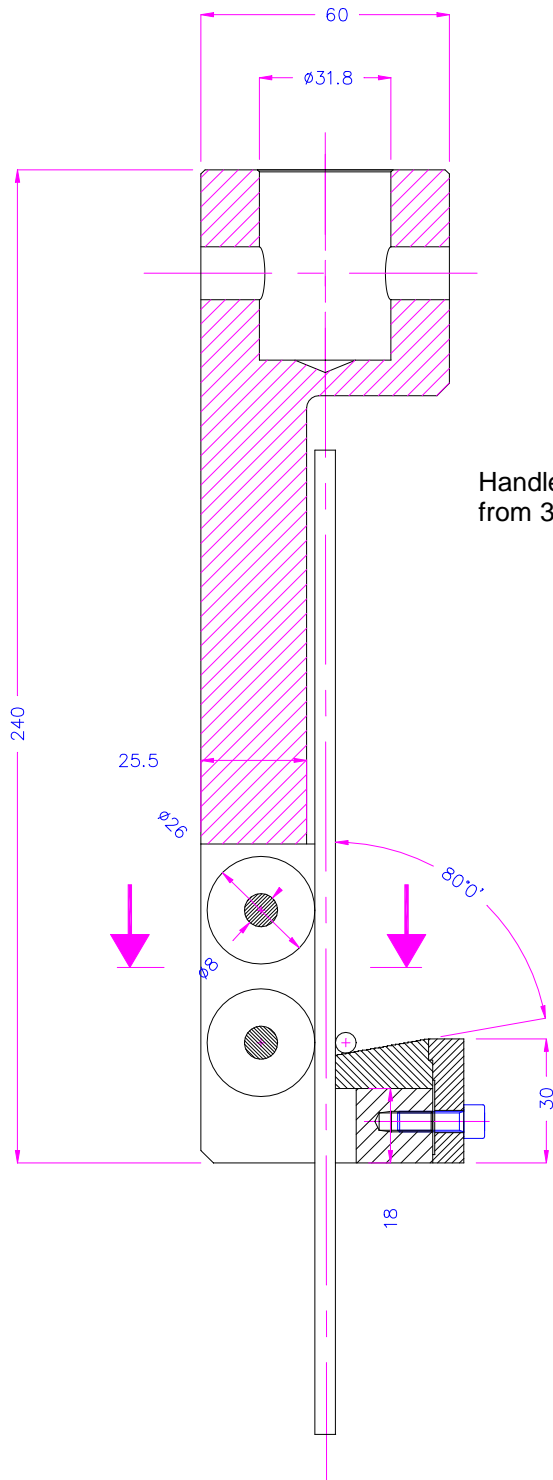


### GA497-290 Welded Wire Test Fixture

Tests in accordance with ASTM A 497



Handles wire diameters from 3 to 8 mm diameter

