

G227 Series Mechanical Vice Grip

Lightweight Vice Grip for forces up to 100 N (22lbf)

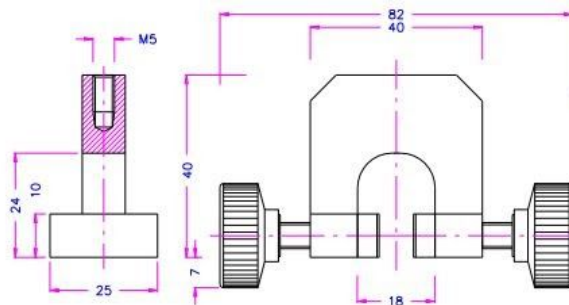
Overview

Screw action, or manual mechanical vice style grips provide a simple and effective way of gripping test specimens. They are successful and affordable and serve a wide range of applications. The grips feature interchangeable dual-acting jaw faces that can be adjusted to handle different specimen thicknesses.



Specifications

G227-0.22-8	
Tensile force	100 N (22 lbf)
Opening	0 mm - 8 mm (0 in - 0.31 in)
Temperature range	0°C - 130°C (32°F - 266°F)
Adapter/Coupling	M5 internal thread
Body	Anodized aluminum
Weight	60 gram (0.13 lbs) each without jaws
Applications	Packaging, paper, foils, films
G227-0.22-46	
Opening	16 mm - 46 mm (0.63 in - 1.81 in)



Interchangeable Jaws or Faces

Jaw	Description
TH227-B25	Blank jaws 10 x 25 mm 0 – 8 mm 18 gram
TH227-BG25	Rubber jaws 10 x 25 mm 0 – 6 mm 19 gram
TH227-BP25	Pyramid jaws 10 x 25 mm 0 – 8 mm 17 gram
TH227-BW25x25	Wave jaws 25 x 25 mm 0 - 6 mm 48 gram
TH227-BD25	Diamond jaws 10 x 25 mm 0 – 8 mm 18 gram
TH227-B50	Blank jaws 10 x 50 mm 0 – 6 mm 46 gram
TH227-BG50	Rubber jaws 10 x 50 mm 0 – 4 mm 48 gram
TH227-BP50	Pyramid jaws 10 x 50 mm 0 – 6 mm 43 gram
TH227-BW25x50	Wave jaws 25 x 50 mm 0 – 6 mm 100 gram
TH227-BD50	Diamond jaws 10 x 50 mm 0 – 6 mm 46 gram
TH227-B100	Blank jaws 10 x 100 mm 0 – 6 mm 92 gram
TH227-BG100	Rubber jaws 10 x 100 mm 0 – 4 mm 95 gram
TH227-BP100	Pyramid jaws 10 x 100 mm 0 – 6 mm 86 gram
TH227-BD100	Diamond jaws 10 x 100 mm 0 – 6 mm 92 gram



Contact an application engineer to configure a solution to your application requirements.