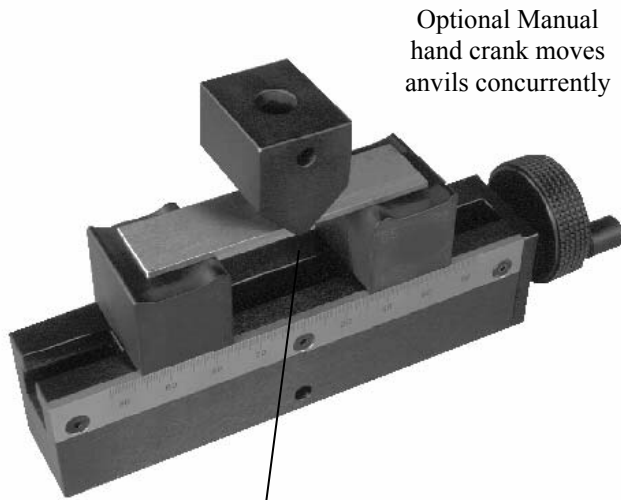


## G103-3 Three Point

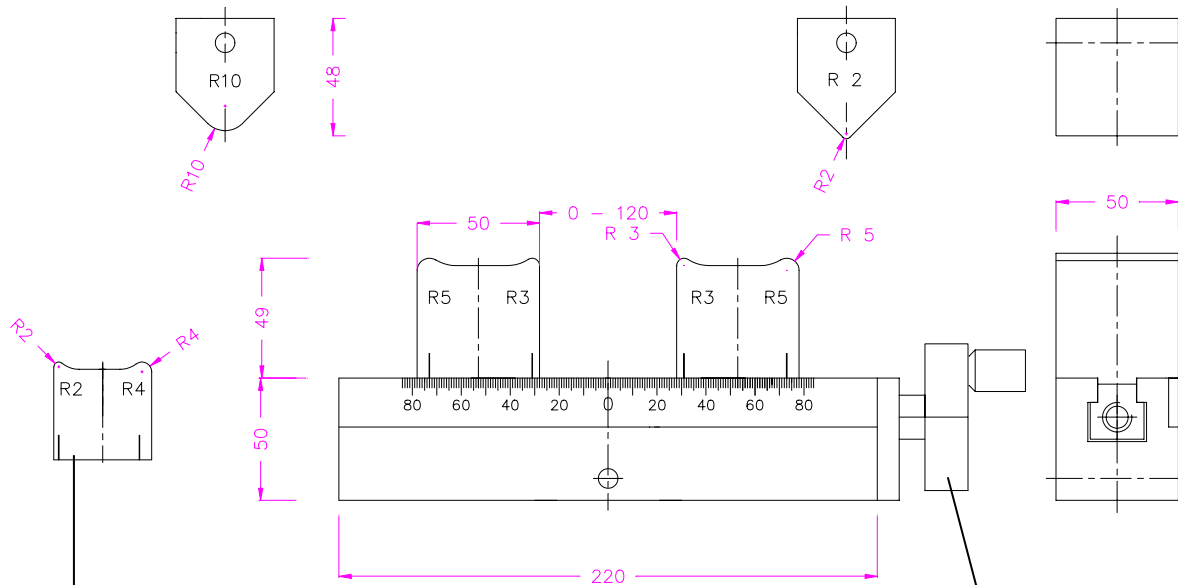


Optional Manual hand crank moves anvils concurrently

For flexural and fracture toughness bond tests including determination of flexural modulus, flexural strength and flexural yield strength. The G103-3 three point fixture can be modified with an optional conversion kit to provide four point bending.

Lower anvils adjust to different spans. Deflection of the specimen can be measured through crosshead displacement, or for more precise measurement, use a model 3800 deflectometer.

Upper Anvils available with radii from 2 mm to 10 mm



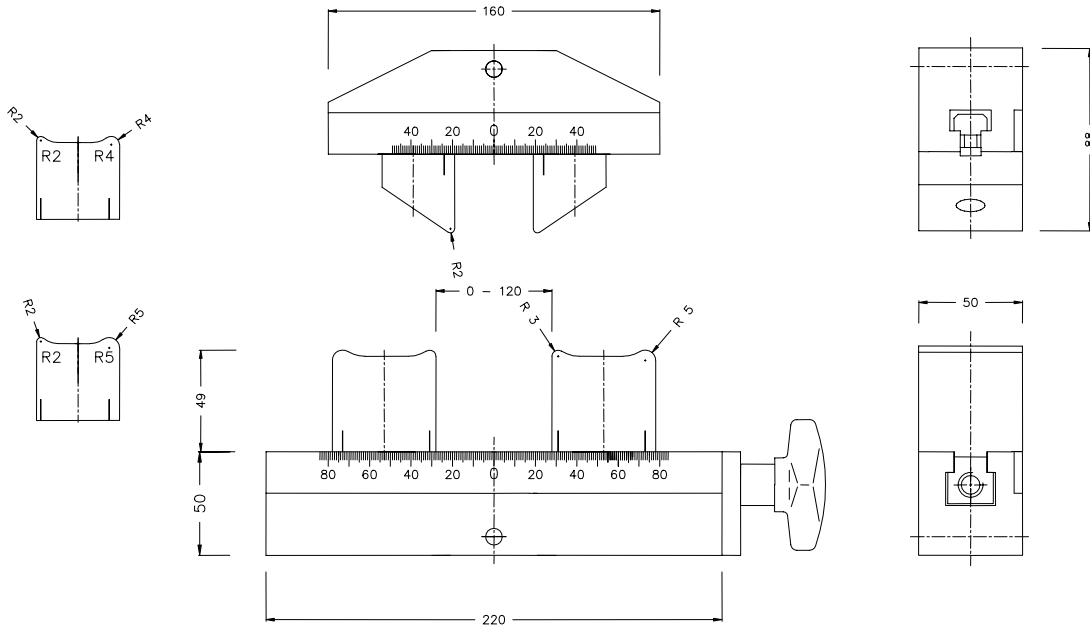
Dual contact lines that can be rotated into position provide great flexibility.

G103-X-AD Manual adjustment option moves both lower anvils concurrently

### Specifications

Force Ratings: 20 kN ( and 50 kN (11,250 pounds)  
 Standard Span Range: 10 to 100 mm  
 Anvil radii: 2, 3 and 5 standard – all others available

## G103-4 Four Point



## G103-4-S Four Point

